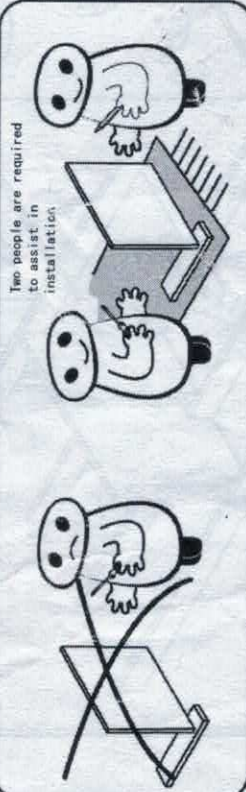
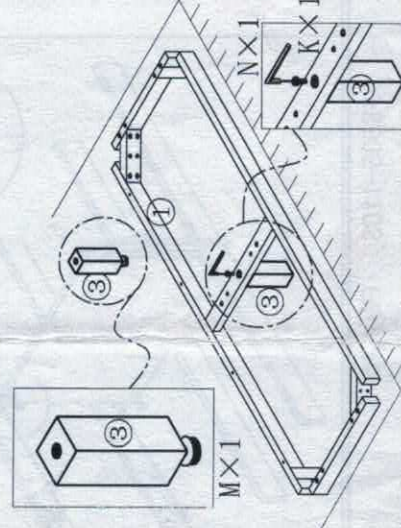
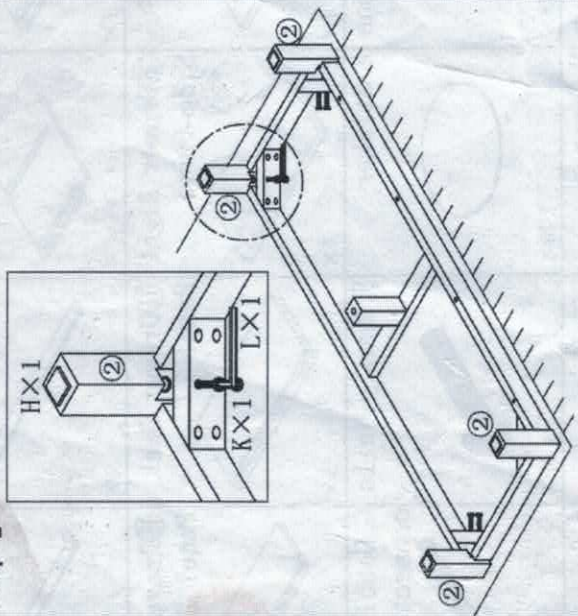
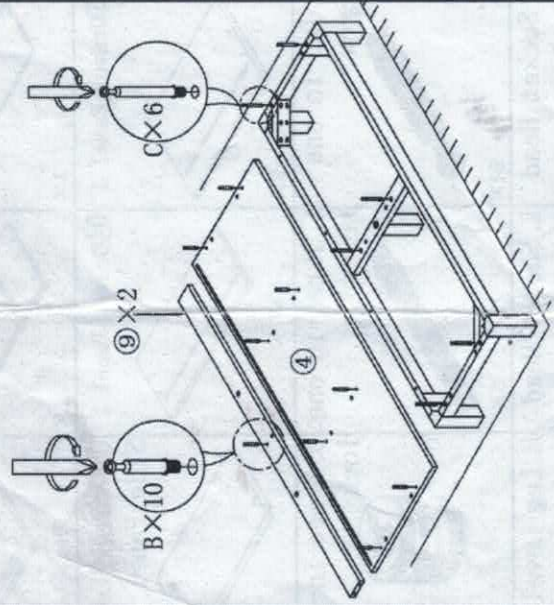


① Bottom Frame 1X	② Solid wood feet 4X	③ Supporting Legs 1X	④ Top Panel 1X	⑤ Left and right panel 2X	⑥ Divider Panel 1 1X	⑦ Divider Panel 2 3X	⑧ Brace 1 1X	⑨ Brace 2 2X	
⑩ Brace 3 4X	⑪ Brace 4 1X	⑫ Back panel 3X	⑬ Drawer Panel 1 3X	⑭ Drawer Panel 2 4X	⑮ Drawer Left Side Panel 7X	⑯ Drawer Right Side Panel 7X	⑰ Drawer Back Panel 1 3X	⑱ Drawer Back Panel 2 4X	
⑲ Drawer Bottom Panel 1 3X	⑳ Drawer Bottom Panel 2 4X	A. Wood dowel pins 20X	B. Two-in-one screw 64X	C. Three-in-one screw 6X	D. Three-in-one lock 78X	E. Sticker 78X	F. Handle Nails 7X	G. Double connecting rod 4X	
H. Handle 7X	I. Quick tooth self tapping screw 4*35 28X	J. Wood screw 4*45 4X	K. Socket Head Cap Screw M8*30 1X	L. Socket Head Cap Screw M8*60 8X	M. Leg Leveller 1X	N. Spanner 1X	O. Dual purpose screw driver 1X	P. Gasket 4X	
 <p>Two people are required to assist in installation.</p>		<p>Step 1</p> 		<p>Attention: Before install, need place a blanket on the ground or also can use packing carton paper put on the ground then install on blanket/packing carton paper to avoid scratching product accessories</p>		<p>Q. Back panel clipping strip 2X</p>		<p>R. Back panel support 16X</p>	
				<p>T. Wooden teeth screw 4X</p>		<p>S. Anti collapse hardware accessories bag 1X</p>			
				<p>Model: PS505-1108</p>		<p>Product: 1140W*390D*890H</p>			

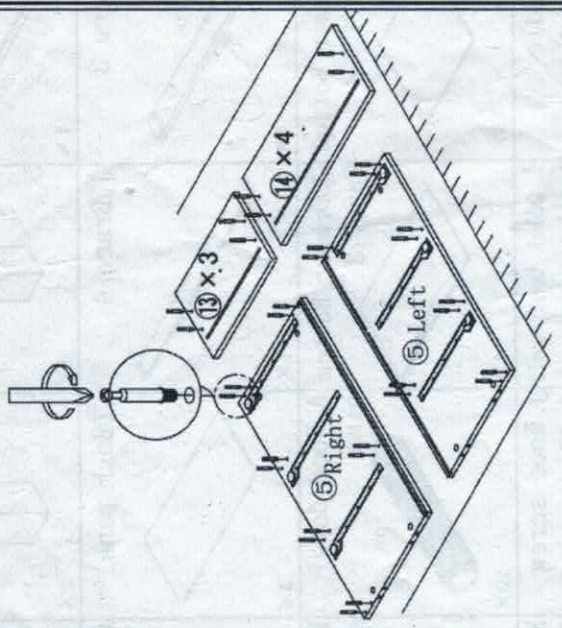
Step 2



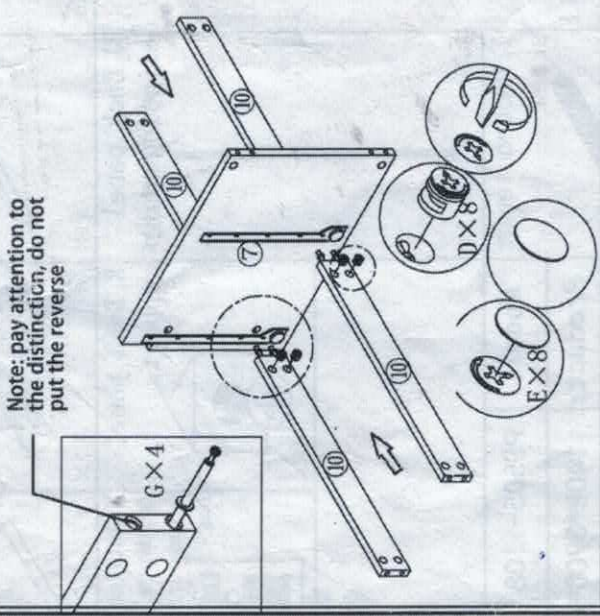
Step 3



Step 4

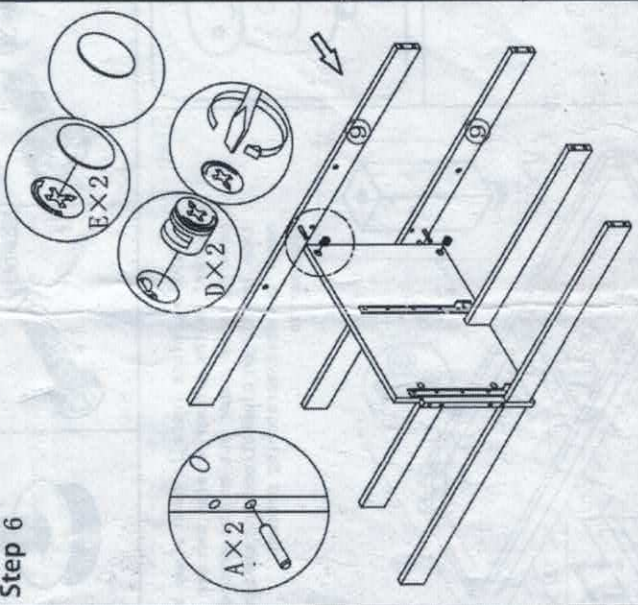


Step 5

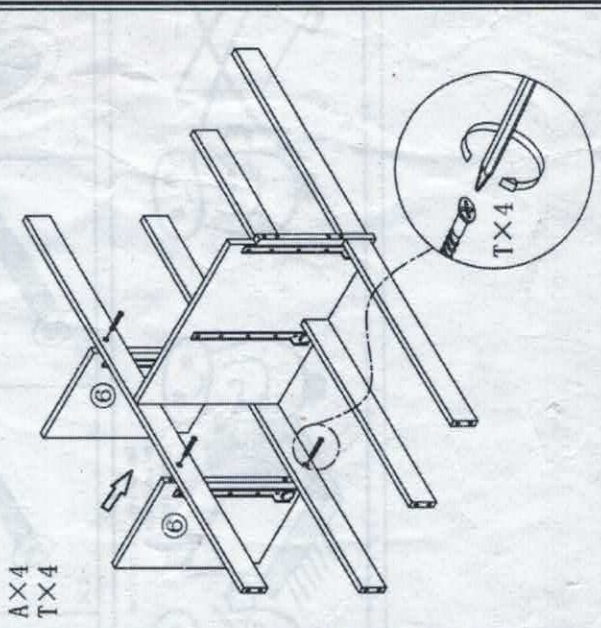


Note: pay attention to the distinction, do not put the reverse

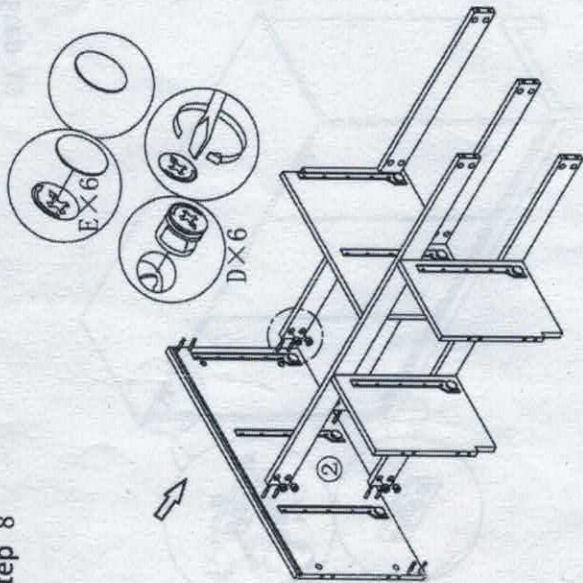
Step 6



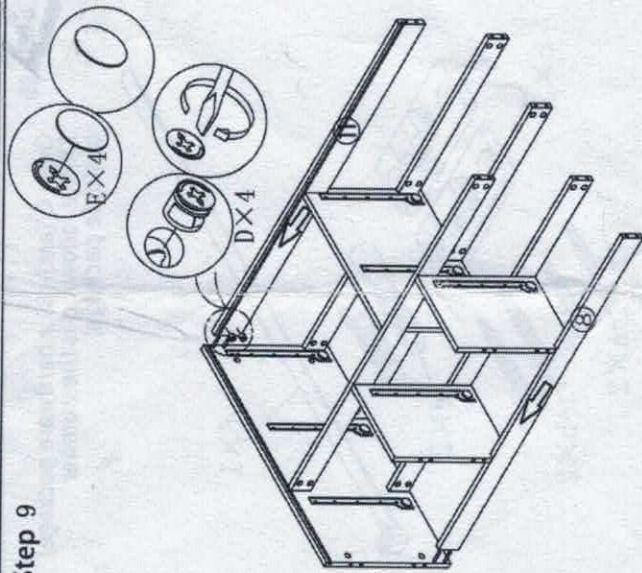
Step 7



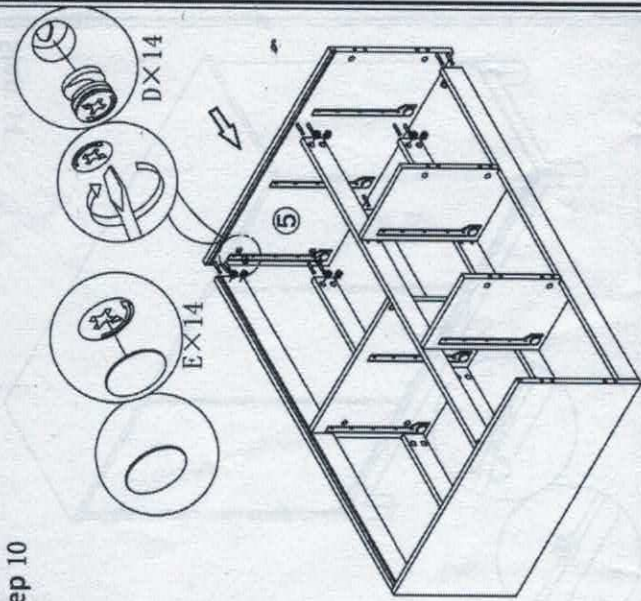
Step 8



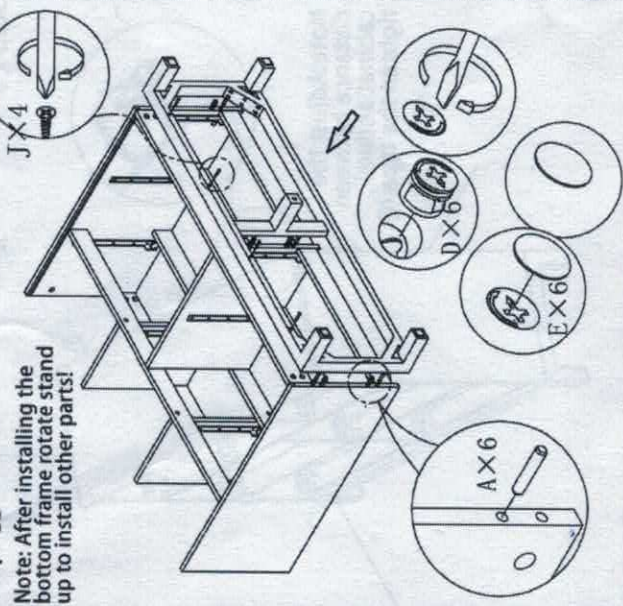
Step 9



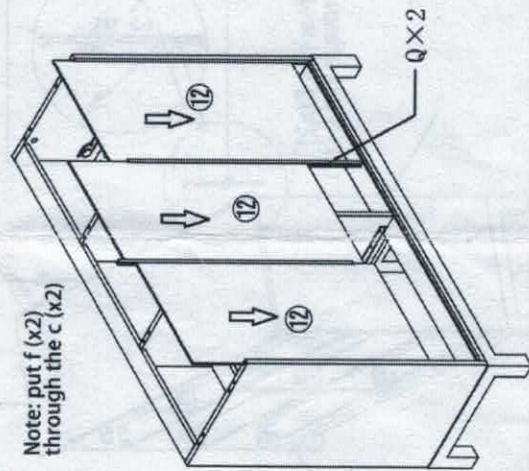
Step 10



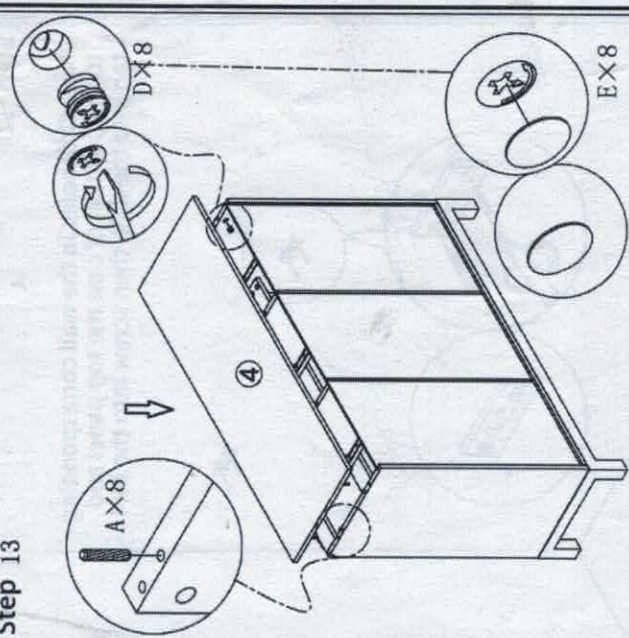
Step 11



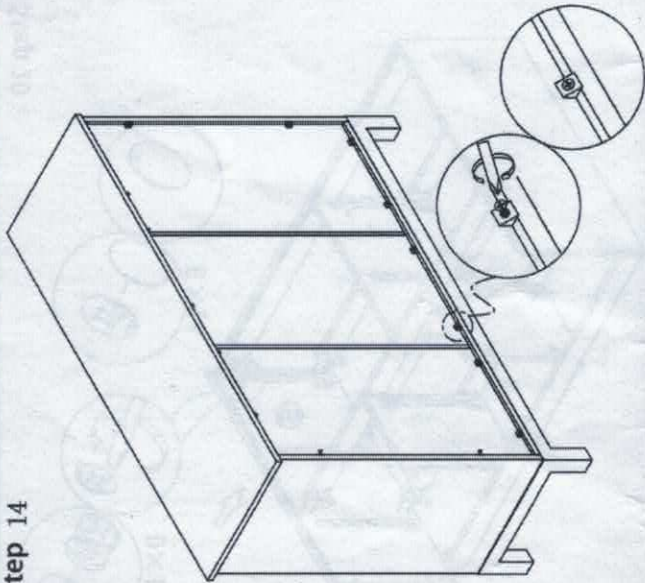
Step 12



Step 13

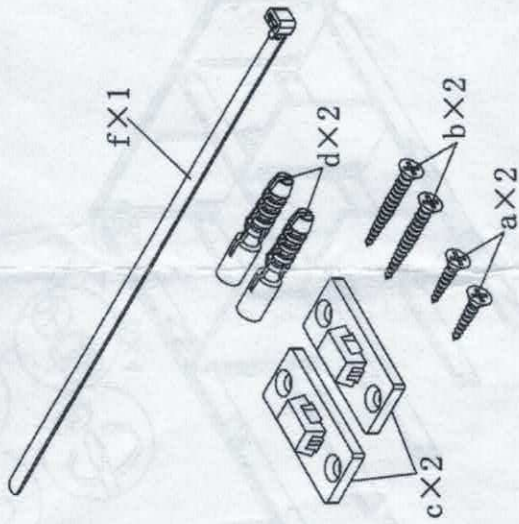


Step 14

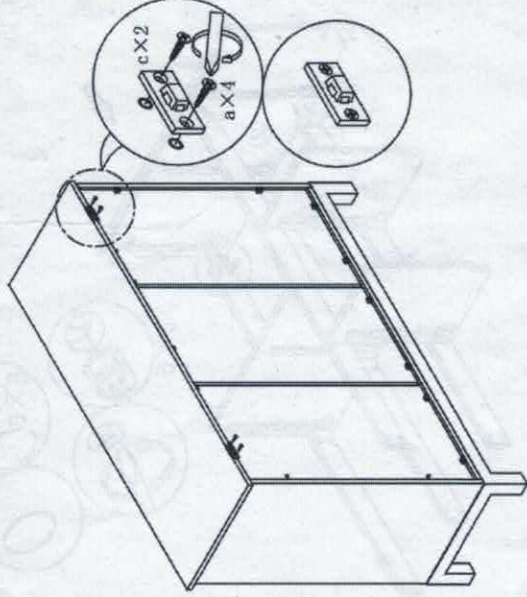


Step 15

Open G (anti-pour hardware package) 2X (the following is the number of single package)

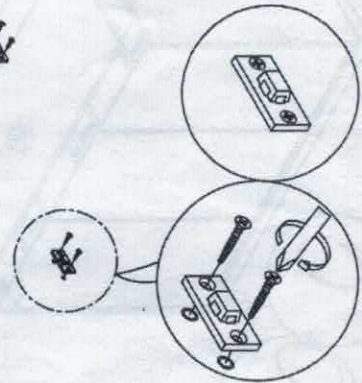


Step 16

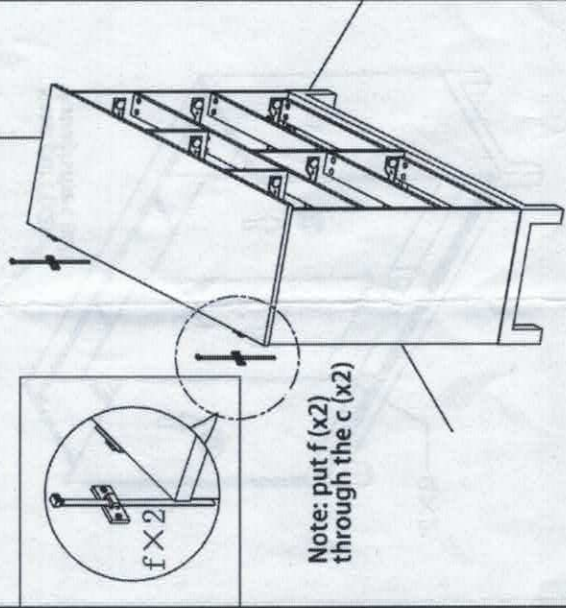


Step 17

Note: Drill holes in the wall corresponding to the position of c on the top panel and tap into the dX4, then screw into the bX4

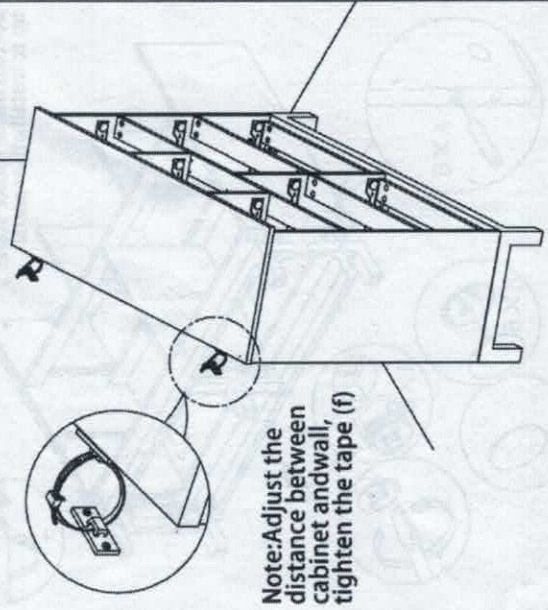


Step 18



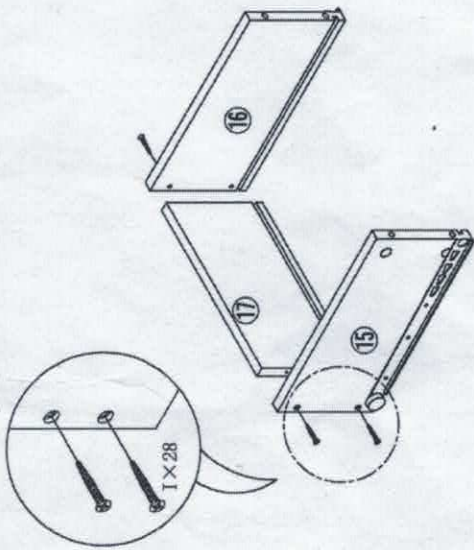
Note: put f (x2) through the c (x2)

Step 19

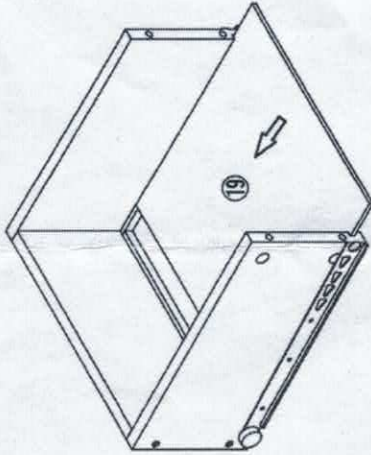


Note: Adjust the distance between cabinet and wall, tighten the tape (f)

Step 20

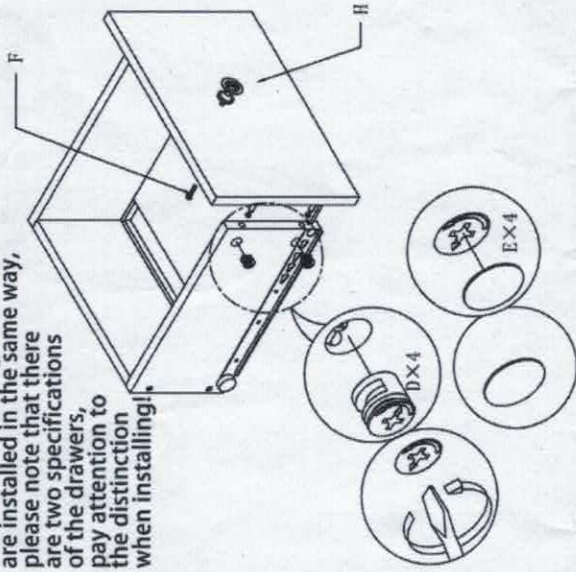


Step 21

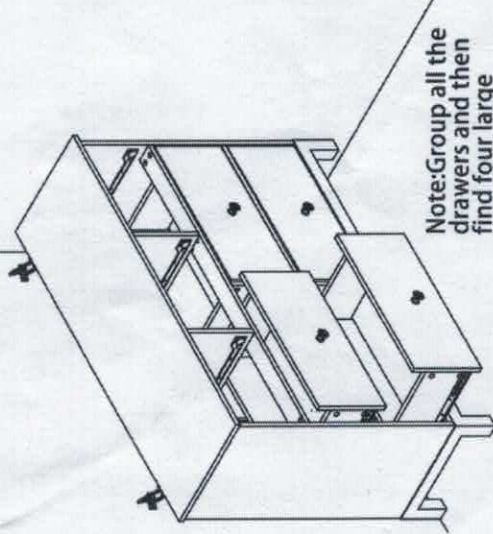


Step 22

Note: The remaining six drawers are installed in the same way, please note that there are two specifications of the drawers, pay attention to the distinction when installing!

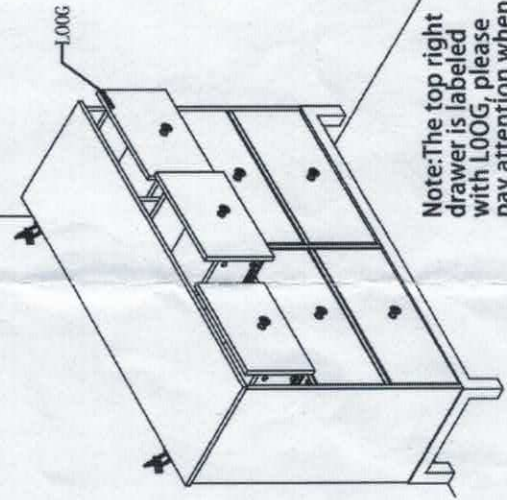


Step 23



Note: Group all the drawers and then find four large drawers to fit underneath

Step 24



Note: The top right drawer is labeled with L00G, please pay attention when installing.

Step 25

